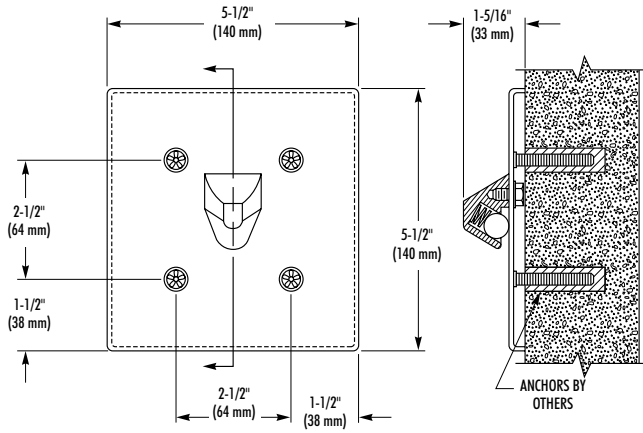


**MODEL SA31**

**SECURITY TOWEL HOOK**

- Front Mounted  
**Bradex™**



**CONSTRUCTION:**

- **BACKPLATE:** Fabricated of type 304 (18-8), 14 gauge stainless steel with exposed surfaces in architectural satin finish. One piece formed and ground smooth.
- **SAFETY HOOK:** Fabricated of bright, chrome plated brass housing with stainless steel ball and spring. Friction mechanism allows holder to clasp towels, clothing, etc., but releases when excessive force is applied.

**INSTALLATION:**

Unit supplied with torx-head screws. (Anchors supplied by others.)

Orders composed of products indicated as **Bradex™** will be available to ship in one week after receipt of order at the factory. There is no pricing penalty for this service from Bradley.

Document No. 9230

This information is subject to change without formal notice.  
1299RSSCJ



P.O. Box 309, Menomonee Falls, WI 53052-0309  
Phone 1-800-BRADLEY FAX 262-253-4161  
Web Site: <http://www.bradleycorp.com>  
Technical Information Fax Service: 1-800-BRADFAX