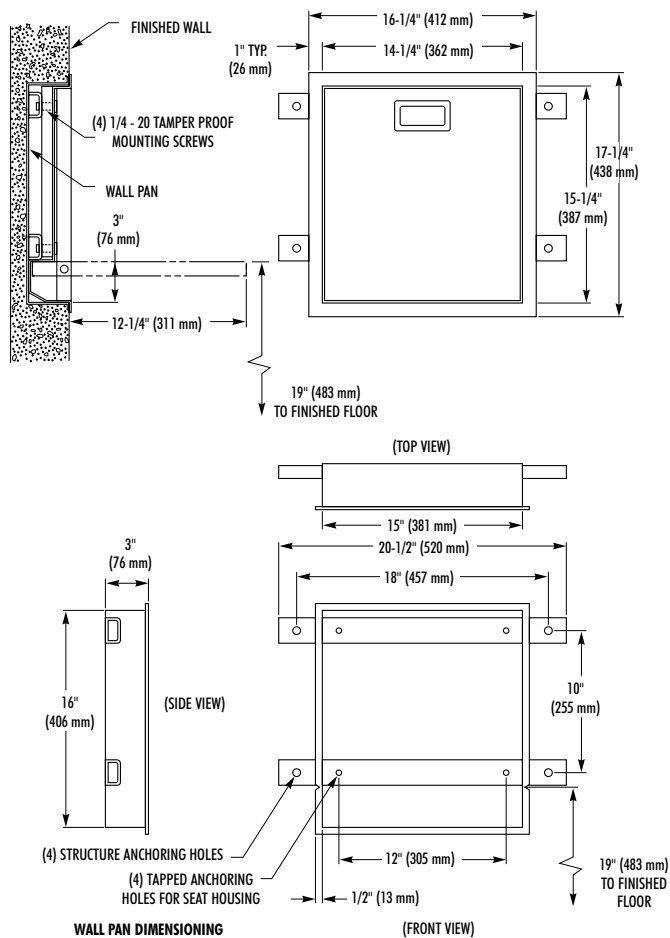
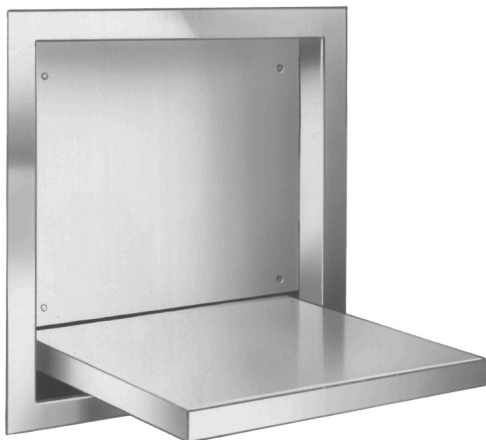


# SECURITY RECESSED SEAT

- Recess Mounted
- Stores in Wall

**Bradex™**



## CONSTRUCTION:

Housing is fabricated of type 304 (18-8), 14 gauge stainless steel, with two heavy anchoring channels welded to back. Seat is fabricated of type 304 (18-8) 16 gauge stainless steel with heavy reinforcing. Welds ground smooth and exterior surfaces polished to No. 4 satin finish. Hinge is solid 3/8" dia. Type 304 stainless steel rod.

Seat opens out from wall and supports up to 750 lbs. Folds up out of the way to store in wall when not in use.

Document No. 9305

This information is subject to change without formal notice.  
1299RSSCJ

Orders composed of products indicated as **Bradex™** will be available to ship in one week after receipt of order at the factory. There is no pricing penalty for this service from Bradley.

**Bradley**

P.O. Box 309, Menomonee Falls, WI 53052-0309  
Phone 1-800-BRADLEY FAX 262-253-4161  
Web Site: <http://www.bradleycorp.com>  
Technical Information Fax Service: 1-800-BRADFAX