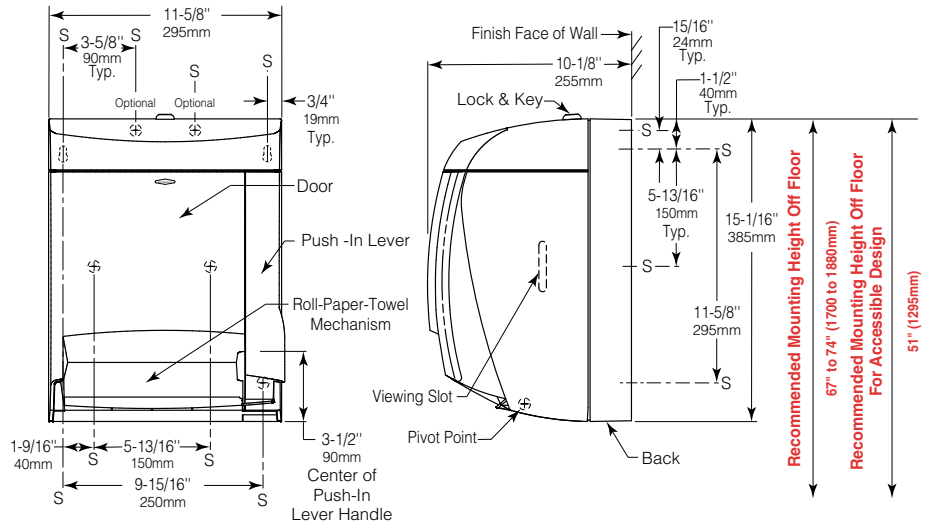




**Technical Data**

**MatrixSeries™  
SURFACE-MOUNTED  
ROLL PAPER TOWEL  
DISPENSER**

**B-52860**



**MATERIALS:**

**Back and Door** — Durable, high-impact, two-tone grey ABS with high-gloss finish on exposed surfaces. Front of door has similar degree of arc as other Bobrick MatrixSeries washroom accessories. Radius on corners, edges and top complement other MatrixSeries accessories. Door secured to back with concealed screws. Door equipped with a tumbler lock keyed like other Bobrick washroom accessories.

**Roll-Paper-Towel Mechanism** — Durable, high-impact ABS. Accepts one standard-core roll 7" to 8" (180 to 205mm) wide, 8" (205mm) diameter. Push-in towel dispensing mechanism is adjustable to dispense 2" or 4" (50 or 100mm) pre-set length of paper towel per stroke. Accommodates one 4" (100mm) diameter stub roll with automatic transfer to full roll.

**OPERATION:**

Building operator controls rate of towel use by selecting length of towel to be fed per stroke of push-in lever. Automatic roll transfer system uses up stub roll before new roll starts to dispense; eliminates towel outage and reduces maintenance time. Push-in lever is operable with one hand, without tight grasping, pinching, or twisting of the wrist, and with less than 5 pounds of force (22.2 N) to comply with accessible design guidelines ( including ADAAG in U.S.A.).

**INSTALLATION:**

Mount unit on wall with five sheet-metal screws (not furnished) at points indicated by an S. For plaster or dry wall construction, provide concealed backing to comply with local building codes, then secure unit with sheet-metal screws. For other wall surfaces, provide fiber plugs or expansion shields for use with sheet-metal screws, or provide 1/8" (3mm) toggle bolts or expansion bolts.

**SPECIFICATION:**

Surface-mounted roll-paper-towel dispenser shall be durable, high-impact, two-tone grey ABS with high-gloss finish on exposed surfaces. Front of door shall have similar degree of arc as other Bobrick MatrixSeries accessories in the washroom. Radius on corners, edges and top of door shall complement other Bobrick MatrixSeries washroom accessories. Door shall be secured to back with concealed screws. Door shall be equipped with a tumbler lock keyed like other Bobrick washroom accessories. Towel mechanism shall be adjustable to dispense pre-set lengths of paper towels from standard-core rolls. Automatic roll transfer shall dispense towels from stub roll before new roll starts dispensing. Push-in lever shall be operable with one hand and with less than 5 pounds of force (22.2 N) to comply with accessible design guidelines (including ADAAG in U.S.A.).

**Surface-Mounted Roll-Paper-Towel Dispenser shall be Model B-52860 of Bobrick Washroom Equipment, Inc., Clifton Park, New York; Jackson, Tennessee; Los Angeles, California; Bobrick Washroom Equipment Company, Scarborough, Ontario; Bobrick Washroom Equipment Pty. Ltd., Australia; and Bobrick Washroom Equipment Limited, United Kingdom.**