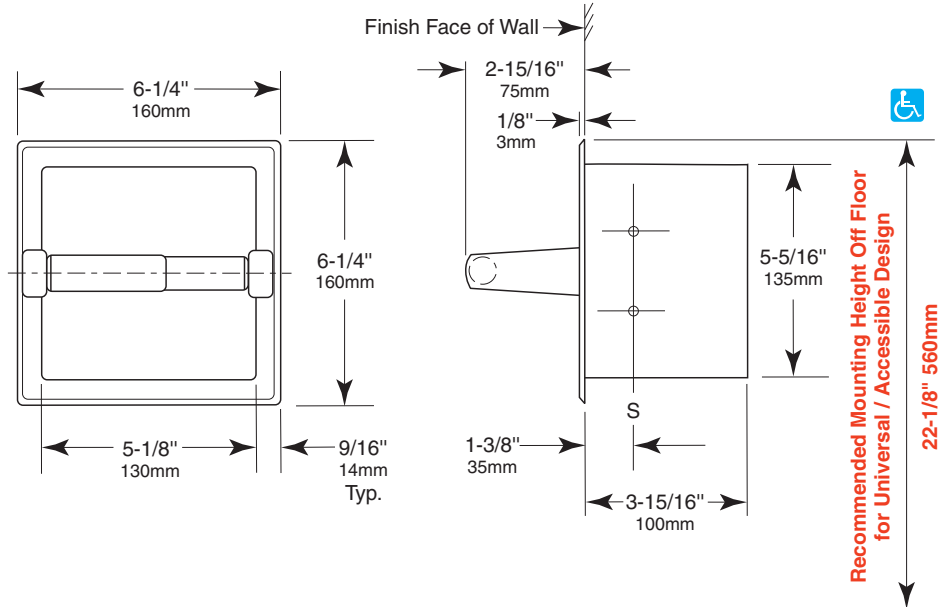




**Technical Data**

**RECESSED  
TOILET TISSUE DISPENSER  
WITH STORAGE SPACE FOR EXTRA ROLL**

**B-6637**



**Rough Opening**  
 5-1/2" (140mm) wide  
 5-1/2" (140mm) high  
 4" (100mm) minimum recessed depth

**MATERIALS:**

**Flange** — 18-8, type-304, 22-gauge (0.8mm) stainless steel. Drawn, one-piece, seamless construction.

**Cabinet** — 18-8, type-304, 22-gauge (0.8mm) stainless steel. All-welded construction.

**Support Posts (2)** — Heavy-duty cast zamak with chrome-plated finish.

**Spindle** — Chrome-plated plastic equipped with heavy-duty internal spring.

*Designer's Note:* Theft-resistant toilet tissue spindle, which is removable only with special key provided, is available as an optional accessory. To specify, add suffix .60 to model number. Example: B-663.60.

**INSTALLATION:**

Provide framed rough wall opening 5-1/2" wide x 5-1/2" high (140 x 140mm). Minimum recessed depth required to finish face of wall is 4" (100mm). Allow clearance for construction features that may protrude into rough wall opening from opposite wall. Coordinate with mechanical engineer to avoid pipes, vents, and conduits. If unit projects above top of wainscot, then provide aluminum channel or other filler to eliminate gap between flange and finish face of wall. Mount cabinet with shims between framing and cabinet at all points indicated by an S, then secure unit with screws furnished by manufacturer.

**SPECIFICATION:**

Recessed toilet paper holder shall be type-304 stainless steel with \_\_\_\_\_ (insert one: bright polished or satin) finish. Flange shall be drawn, one-piece seamless construction. \*Spindle shall be chrome-plated plastic with a heavy-duty internal spring.

*\*To specify theft-resistant spindle as an optional accessory, add to specification:* Theft-resistant toilet tissue spindle shall be removable only with special key provided.

**Recessed Stainless Steel Toilet Paper Holder shall be Model \_\_\_\_\_ (insert model number) of Bobrick Washroom Equipment, Inc., Clifton Park, New York; Jackson, Tennessee; Los Angeles, California; Bobrick Washroom Equipment Company, Scarborough, Ontario; Bobrick Washroom Equipment Pty. Ltd., Australia; and Bobrick Washroom Equipment Limited, United Kingdom.**