

- Model 1471 — Recessed**
- Model 1471-11 — Surface Mounted (projects 4")**

Product Materials

FLANGE: 22 gauge stainless steel with exposed surfaces in architectural satin finish. One-piece seamless construction, 1" wide with ¼" return.

CABINET: 26 gauge stainless steel.

DOOR: 22 gauge stainless steel with heavy-duty full-length piano hinge and tumbler lock keyed like other Bradley units.

SOAP DISPENSER CONTAINER: polyethylene. Soap valve has chrome-plated brass housing with ABS plastic mechanism and internal checks to prevent leakage. Requires less than 5 lbs. force to dispense soap.

TOWEL DISPENSER: 22 gauge stainless steel.

Capacity

Soap Dispenser — 40 oz. liquid soap; Towel Dispenser — 250 multi-fold or 150 C-fold paper towels.

Operation

Soap dispenser swings open for filling and cleaning. Sight gauge indicates refill time. Valve dispenses measured amount of liquid soap. Towel dispenser holds multi-fold or C-fold towels without use of special adapter. Requires less than 5 lbs. force to dispense soap.

Installation

Verify all rough-in dimensions prior to installation. Recessed unit requires rough wall opening 15½"W x 11¼"H x 4"D. Secure to framing with mounting screws (included) at holes provided. Shim at screw points as required.

Guide Specification

Recessed multi-purpose unit consisting of towel dispenser and soap dispenser shall be fabricated of stainless steel with exposed surfaces in satin finish. Doors with full length piano hinge and tumbler lock. Unit dispenses 250 multi-fold or 150 C-fold paper towels and 40 oz. liquid soap. Requires less than 5 lbs. force to dispense soap.

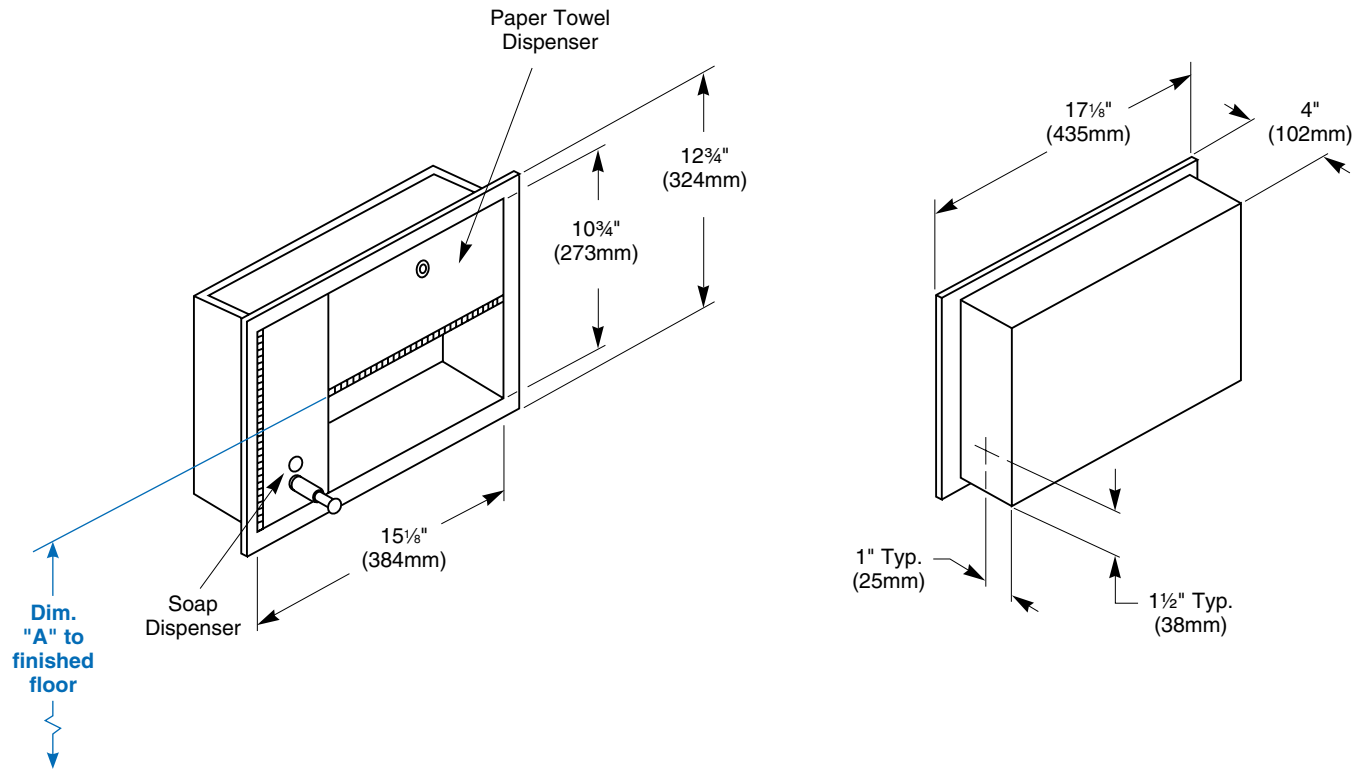
Overall dimensions: 17¼"W x 12¾"H x 4"D.



ADA Compliant

- Consult local and national accessibility codes for proper installation guidelines.
- Conformity and compliance to local and national codes is the responsibility of the installer.

Dimensions



| Dim. "A" Key Surface: | For Dim. "A" | Top of Rough Wall Opening | Bottom of Rough Wall Opening |
|--|---|---------------------------|------------------------------|
| Mirror's bottom edge of the reflecting surface to finished floor | 48" (1219mm) | 54" (1372mm) | 42 3/4" (1086mm) |
| | 45" (1143mm) | 51" (1295mm) | 39 3/4" (1010mm) |
| | 42" (1067mm) | 48" (1219mm) | 36 3/4" (933mm) |
| | 40" (1016mm) | 46" (1168mm) | 34 3/4" (883mm) |
| Rough wall opening: | | | |
| Surface Mount: | No rough opening, see overall dimensions | | |
| Recessed: | 15 1/2" (394mm) Wide x 11 1/4" (286mm) High x 4" (102mm) Deep | | |