

□ Model 1985 — Multi-Purpose Unit

- ☑ For 5/8" thick drywall installations behind wall or mirror

Product Materials

FLANGE: 22 gauge stainless steel with exposed surfaces in architectural satin finish. One-piece seamless construction, 1" wide with beveled edges.

CABINET: 26 gauge stainless steel.

TOWEL TRAY: 22 gauge stainless steel.

TOWEL DISPENSER: 22 gauge stainless steel piano hinge and tumbler lock. Rolled edge on dispenser opening.

EXTERIOR SHELF: 22 gauge stainless steel with an area of 60 sq. in.

LOCK on towel dispenser keyed like other Bradley units.

Capacity

Towel Dispenser — 800 multi-fold or 600 C-fold paper towels.

Operation

Towel dispenser holds multi-fold or C-fold towels without use of special adapter. Lock secures hinged towel dispenser lip, which opens for refilling from bottom.

Installation

Verify all rough-in dimensions prior to installation. Requires rough wall opening 15 5/8"W x 30 1/4"H x 4"D. Install cabinet prior to installation of wall surface or mirror. Secure to framing with mounting screws (included) at holes provided. Shim at screw points as required.

Guide Specification

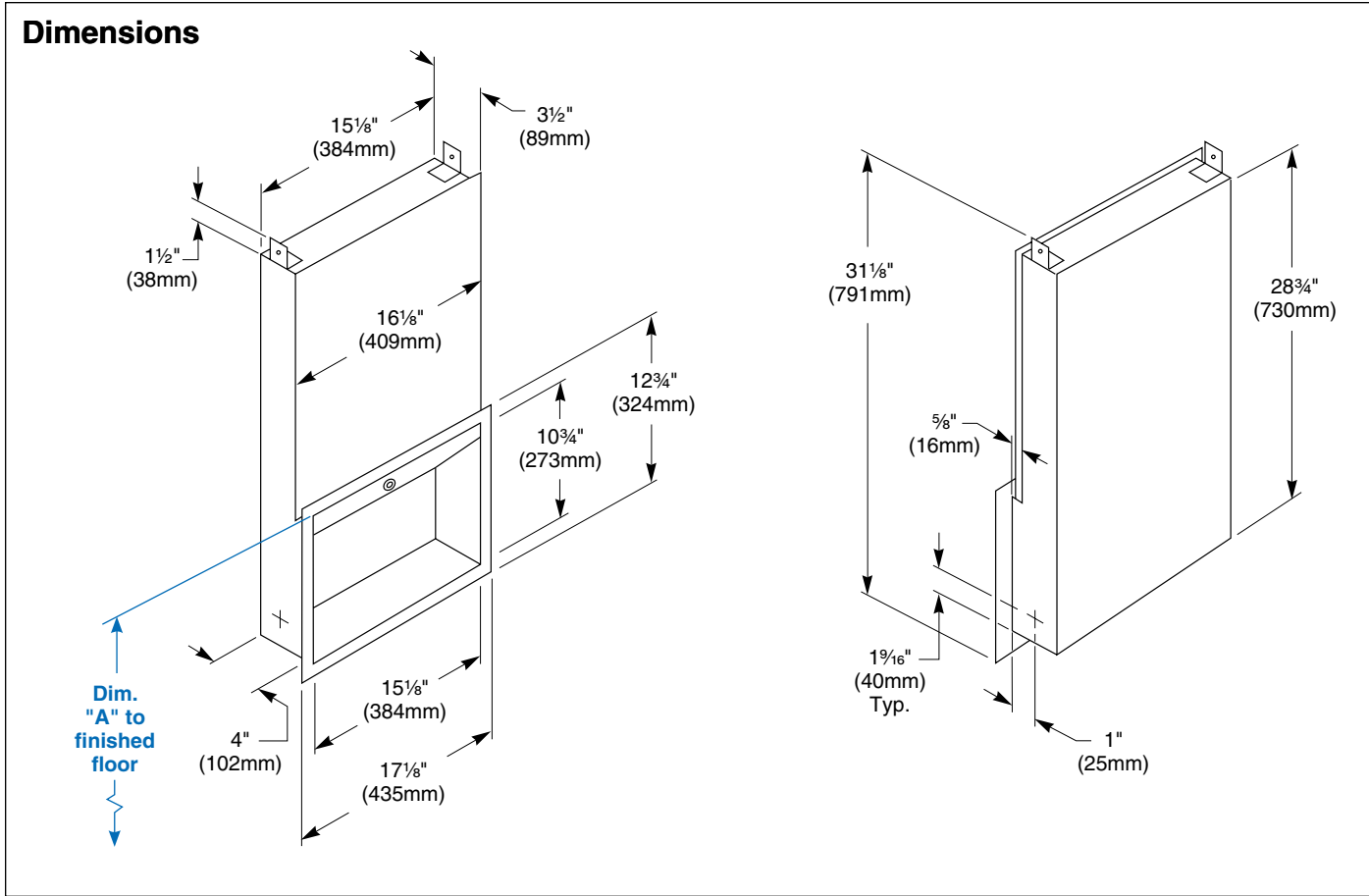
Recessed multi-purpose unit (for behind wall or mirror installation) consisting of recessed towel dispenser and shelf and shall be fabricated of stainless steel with exposed surfaces in satin finish. Towel dispenser with piano hinge and tumbler lock. Towel dispenser capacity 800 multi-fold or 600 C-fold towels.

Overall dimensions: 17 1/8"W x 31 1/8"H x 4"D.



ADA Compliant

- ☑ Consult local and national accessibility codes for proper installation guidelines.
- ☑ Conformity and compliance to local and national codes is the responsibility of the installer.



Dim. "A" Key Surface:	For Dim. "A"	Top of Rough Wall Opening	Bottom of Rough Wall Opening
Paper towel top of opening to finished floor	48" (1219mm)	67" (1702mm)	35 7/8" (911mm)
	45" (1143mm)	64" (1626mm)	32 7/8" (835mm)
	42" (1067mm)	61" (1549mm)	29 7/8" (759mm)
	40" (1016mm)	59" (1499mm)	27 7/8" (708mm)
Rough wall opening:			
Recessed: 2/23/2011 15 5/8" (397mm) Wide x 31 1/8" (791mm) High x 4" (102mm) Deep			

Page 2 of 2

This information is subject to change without notice.
Bradley_Dispenser_1985

P.O. Box 309, Menomonee Falls, WI 53052-0309
800 BRADLEY (800.272.3539)

© 2014 Bradley
+1 262 251 6000
bradleycorp.com

**Washroom Accessories
Document No. 8045**

Page 2 of 2

This information is subject to change without notice.

2-23-2011

© 2011 Bradley Corporation
P.O. Box 309, Menomonee Falls, WI 53052-0309
Phone: 800.BRADLEY (800.272.3539) Fax: 262.253.4161
bradleycorp.com