

- Model 234 — Recessed **Bradex**<sup>®</sup> (recesses 3-13/16"; projects 4-31/32")
- Model 234-10 — Semi-Recessed **Bradex**<sup>®</sup> (recesses 1-31/32"; projects 6-13/16")
- Model 234-11 — Surface-Mounted **Bradex**<sup>®</sup> (projects 8-25/32")
- Standard Series — Satin Finish
- C-Fold/Multi-Fold Towels

**Product Details**

**CABINET:** 24 gauge steel. Welded construction with seamless corners and burr-free edges.

**FLANGE:** 22 gauge stainless steel with exposed surfaces in architectural satin finish. One-piece seamless construction, 1" wide radiused edges with ¼" return.

**DOOR:** 18 gauge stainless steel. Warp resistant, with full length piano hinge and tumbler lock keyed like other Bradley units.

**TOWEL DISPENSER:** 22 gauge stainless steel. Rolled edge on dispenser opening.

**WASTE RECEPTACLE:** 22 gauge stainless steel. All welded construction. Secured to cabinet with tumbler lock keyed like other Bradley units.

**LINER:** (optional) heavy duty stitched vinyl coated nylon: 12 gallon part # P11-004; 18 gallon part no. P11-001.

**OPTIONAL HINGED COVER:** 22 gauge stainless steel with exposed surfaces in architectural satin finish. Heavy duty stainless steel piano hinge

**OPTIONAL PUSH-FLAP DOOR:** 22 gauge stainless steel with exposed surfaces in architectural satin finish. Heavy duty stainless steel piano hinge. Self-closing door is embossed **PUSH**.

**Capacity**

Towel Dispenser — 800 multi-fold or 600 C-fold paper towels

Waste Container — 12 gal. (1.6 cu. ft.)

**Operation**

Towel dispenser holds multi-fold or C-fold towels without use of special adapter.

Receptacle removable for servicing by unlocking waste container.

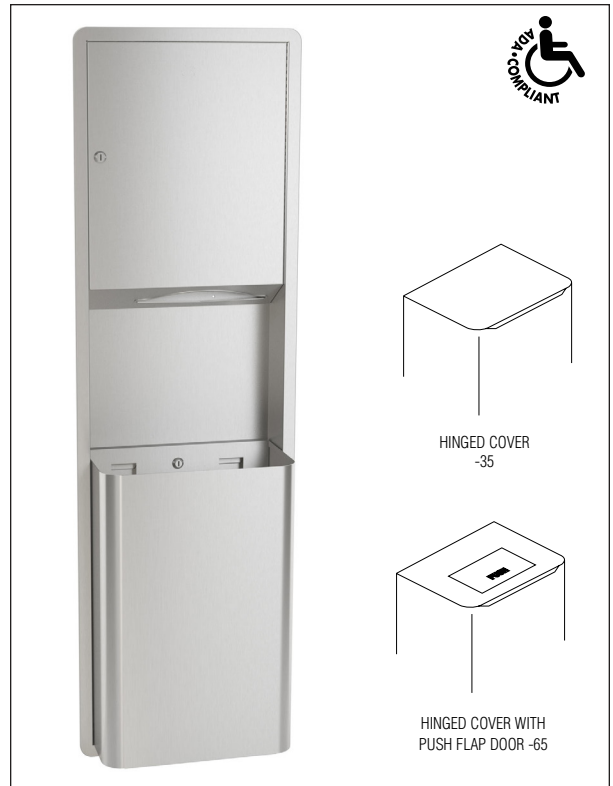
**Installation**

Verify all rough-in dimensions prior to installation. Recessed unit requires rough wall opening 15-3/4"W x 54-5/8"H x 4"D (Semi-recessed unit only 2" deep). Secure with mounting screws (included) at holes provided. Shim at screw points as required. Surface-mounted units must have holes drilled by installer. Mounting screws are included.

**Guide Specification**

Recessed combination towel dispenser and waste receptacle shall be fabricated of 22-gauge stainless steel with exposed surfaces in satin finish. Warp-free towel cabinet door equipped with piano hinge and secured by tumbler lock. Towel dispenser capacity 800 multi-fold or 600 C-fold towels. Removable 12 gal. stainless steel waste receptacle. Reusable vinyl liner is optional.

**Overall dimensions: 17-1/8"W x 56"H x 8-25/32"D.**



**Optional Features**

Feature	Suffix
<input type="checkbox"/> Hinged cover	-35
<input type="checkbox"/> Large capacity waste receptacle — 18 gal.	-36
<input type="checkbox"/> Hinged cover with push flap door	-65
<input type="checkbox"/> Vinyl Liner Part #P11-004	

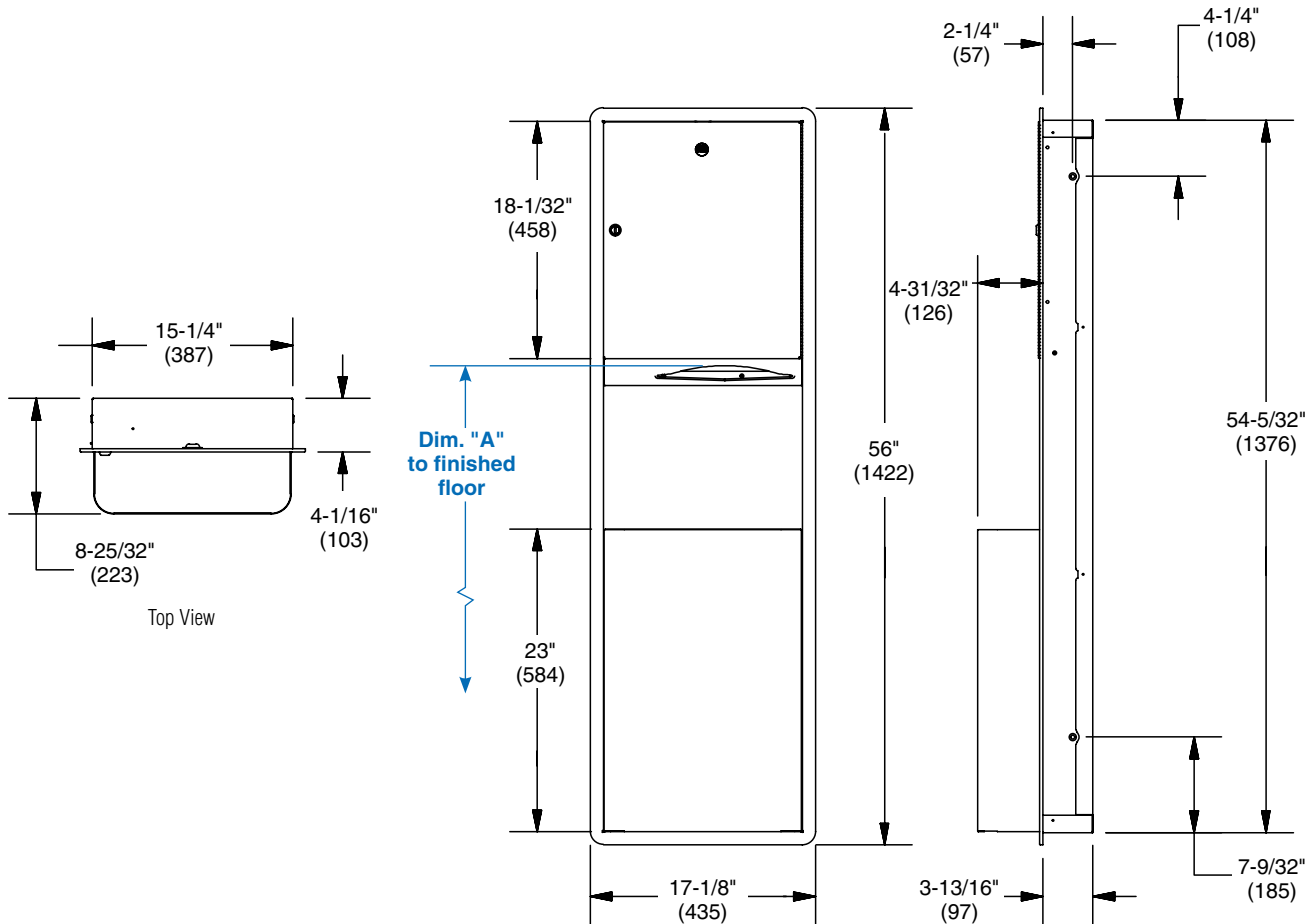
**ADA Compliant**

- Consult local and national accessibility codes for proper installation guidelines.
- Conformity and compliance to local and national codes is the responsibility of the installer.

Orders composed of products indicated as **Bradex**<sup>®</sup> will be available to ship in three days after receipt of order at the factory. There is no pricing penalty for this service from Bradley.

Dimensions: Model 234 Recessed

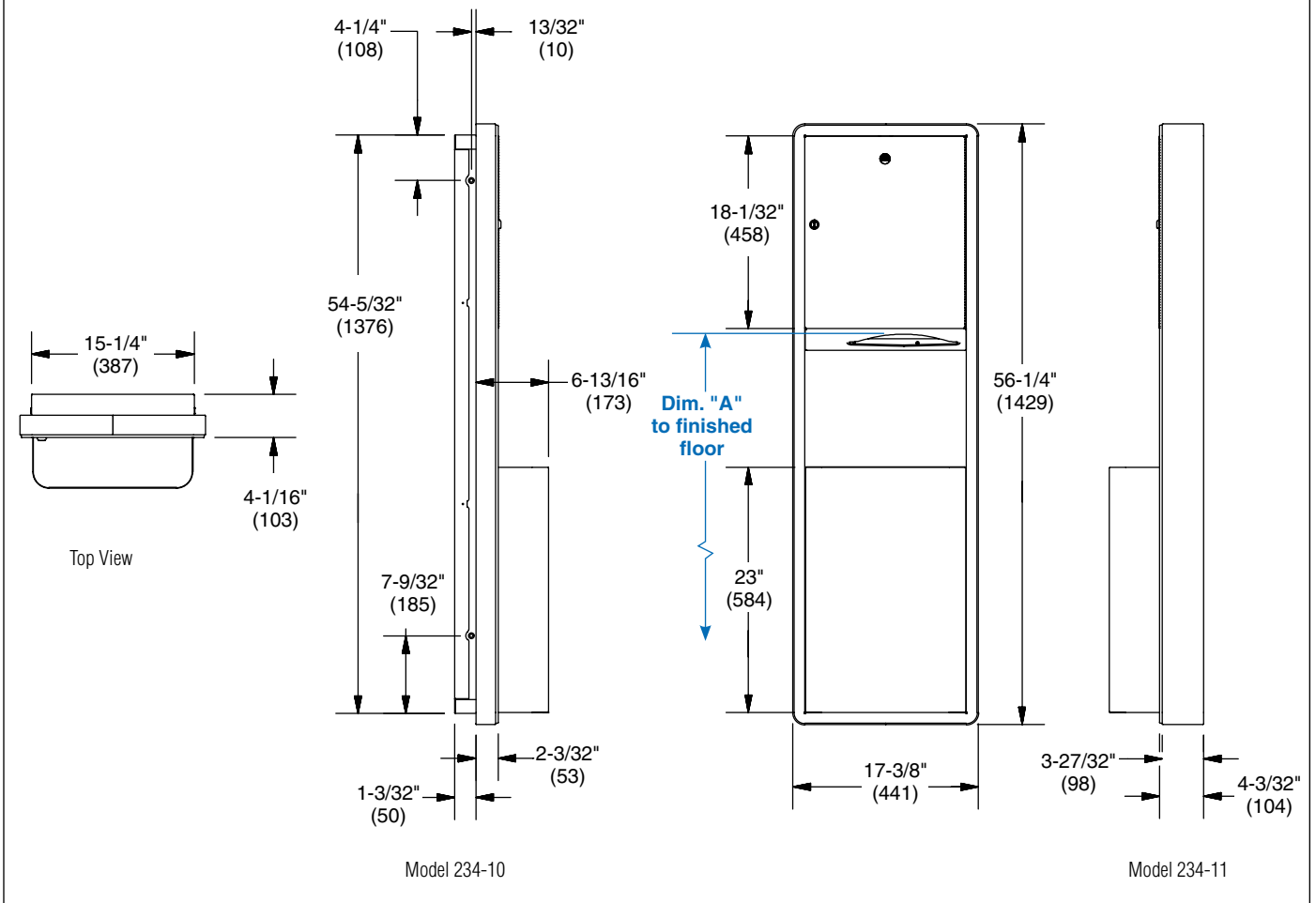
(mm)



Dim. "A" Key Surface:	For Dim. "A"	Top of Rough Wall Opening	Bottom of Rough Wall Opening
Paper towel top of opening to finished floor	48" (1219)	66 <sup>3</sup> / <sub>4</sub> " (1695)	12" (305)
	45" (1143)	63 <sup>3</sup> / <sub>4</sub> " (1619)	9" (229)
	42" (1067)	60 <sup>3</sup> / <sub>4</sub> " (1543)	6" (152)
	40" (1016)	58 <sup>3</sup> / <sub>4</sub> " (1492)	4" (102)
<b>Rough wall opening:</b>			
Recessed: 15-3/4" (401) Wide x 54-5/8" (1391) High x 4" (102) Deep			

Orders composed of products indicated as **Bradex**® will be available to ship in three days after receipt of order at the factory. There is no pricing penalty for this service from Bradley.

### Dimensions: Model 234-10 Semi-Recessed & 234-11 Surface-Mounted (mm)



Dim. "A" Key Surface:	For Dim. "A"	Top of Rough Wall Opening	Bottom of Rough Wall Opening
Paper towel top of opening to finished floor	48" (1219)	66 <sup>3</sup> / <sub>4</sub> " (1695)	12" (305)
	45" (1143)	63 <sup>3</sup> / <sub>4</sub> " (1619)	9" (229)
	42" (1067)	60 <sup>3</sup> / <sub>4</sub> " (1543)	6" (152)
	40" (1016)	58 <sup>3</sup> / <sub>4</sub> " (1492)	4" (102)
<b>Rough wall opening:</b>			
Surface Mounted:	No rough opening, see overall dimensions		
Semi-Recessed:	15-3/4" (401) Wide x 54-5/8" (1391) High x 2" (51) Deep		

Orders composed of products indicated as **Bradex**® will be available to ship in three days after receipt of order at the factory. There is no pricing penalty for this service from Bradley.