

### Model 4721-15 — Partition-Mounted **Bradex®**

- Standard Series — Satin Finish
- Serves Two Compartments

### Product Materials

**FLANGE:** 22 gauge stainless steel with exposed surfaces in architectural satin finish. One-piece seamless construction, 1" wide with ¼" return.

**CABINET:** 22 gauge stainless steel. All welded construction with one flange welded to cabinet.

**PUSH FLAP DOOR** fabricated of 22 gauge stainless steel with exposed surfaces in architectural satin finish. Heavy-duty stainless steel piano hinge. Self-closing flap door.

**WASTE CONTAINER** fabricated of 22 gauge stainless steel with tumbler locks keyed like other Bradley units.

### Capacity

1.5 gal (0.2 cu. ft.)

### Operation

Waste container removable from one side with finger grip. Furnished with waxed paper liner. Box of 500 waxed paper liners are available by ordering part number P11-022.

### Installation

Verify all rough-in dimensions prior to installation. Requires partition opening 11"W x 15½"H. Location of hole and dimensions should be noted in partition specifications. Flange adjustable for partitions from ½" to 1¼" thick. Secure unit to partition with mounting screws (included) at holes provided.

- If used with an odd number of toilet compartments, use one Bradley Model 4722-15 napkin disposal on side wall of end compartment.

### Guide Specification

Partition-mounted dual napkin disposal shall serve two toilet compartments and be fabricated of 22 gauge stainless steel with exposed surfaces in satin finish and burr-free beveled edges. Two self-closing push flap doors. Stainless steel receptacle with tumbler locks, removable from one side only.

**Overall dimensions: 12¾"W x 17⅛"H x 4"D.**



### ADA Compliant

- Consult local and national accessibility codes for proper installation guidelines.
- Conformity and compliance to local and national codes is the responsibility of the installer.

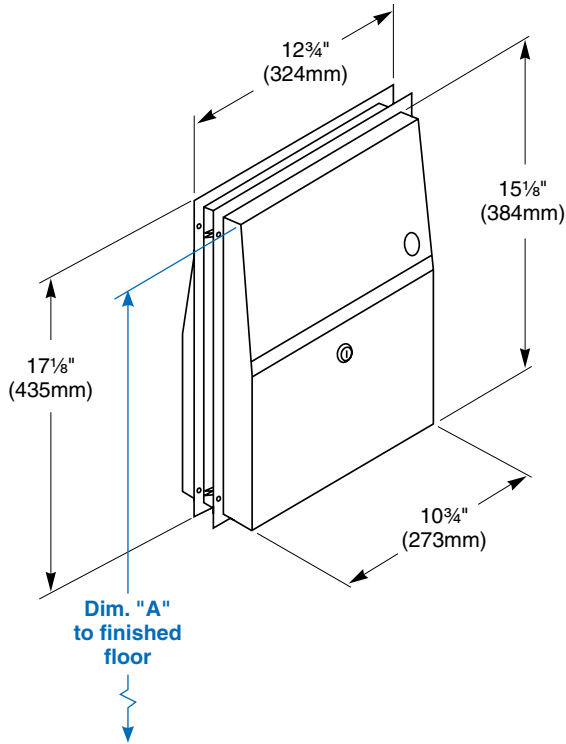
Orders composed of products indicated as **Bradex®** will be available to ship in three days after receipt of order at the factory. There is no pricing penalty for this service from Bradley.

Page 1 of 2  
This information is subject to change without notice.  
Bradley\_Vendor\_4721-15

5/2/2012

© 2014 Bradley  
P.O. Box 309, Menomonee Falls, WI 53052-0309  
800 BRADLEY (800 272 3539) +1 262 251 6000  
bradleycorp.com

**Dimensions**



<b>Dim. "A" Key Surface:</b>	For Dim. "A"	Top of Rough Wall Opening	Bottom of Rough Wall Opening
Top of door (6" door opening) to finished floor	48" (1219mm)	48" (1219mm)	32 <sup>5</sup> / <sub>8</sub> " (829mm)
	45" (1143mm)	45" (1143mm)	29 <sup>5</sup> / <sub>8</sub> " (752mm)
	42" (1067mm)	42" (1067mm)	26 <sup>5</sup> / <sub>8</sub> " (676mm)
	36" (914mm)	36" (914mm)	20 <sup>5</sup> / <sub>8</sub> " (524mm)
	33" (838mm)	33" (838mm)	17 <sup>5</sup> / <sub>8</sub> " (448mm)
<b>Rough wall opening:</b>			
Partition Mount:	11" (279mm) Wide x 15 <sup>5</sup> / <sub>8</sub> " (391mm) High x Partition Thickness		

Orders composed of products indicated as **Bradex**® will be available to ship in three days after receipt of order at the factory. There is no pricing penalty for this service from Bradley.