

Model 5105

- Recessed
- Non-Controlled Delivery
- Single Roll Plus Spare Roll

Product Materials

HOUSING: 23 gauge polished stainless steel.
POSTS: chrome-plated zinc.
SPINDLE: chrome-plated plastic.

Capacity

One standard core toilet tissue roll through 5" in diameter, plus one spare roll behind spindled roll.

Operation

Concealed spring permits spindle to telescope for servicing. Spare roll stores behind spindled roll for easy access. Spindle turns free for non-controlled delivery.

Installation

Verify all rough-in dimensions prior to installation. Requires rough wall opening 5¼"W x 5¼"H x 4"D. Secure to framing with appropriate anchoring devices at holes provided.

Optional Features

Feature	Suffix
<input type="checkbox"/> Anti-theft spindle	-52

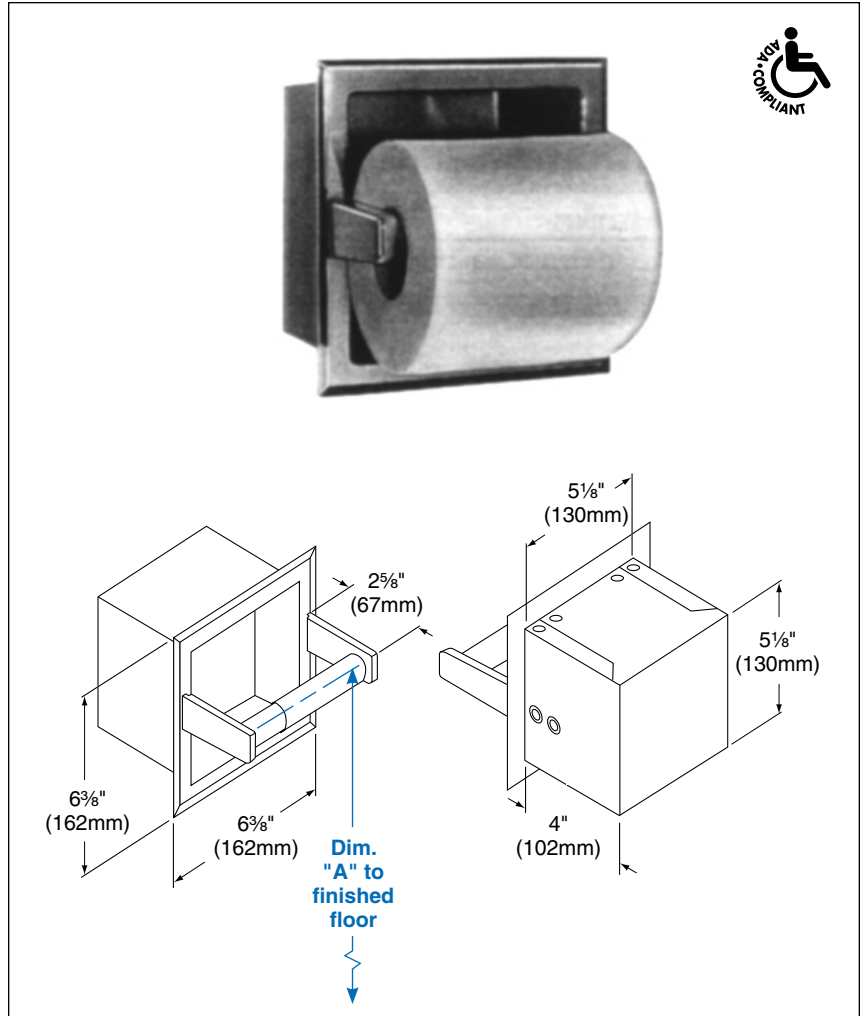
Guide Specification

Recessed single roll toilet dispenser with spare roll storage shall be fabricated of galvanized steel (recessed box) and stainless steel (frame) and hold one standard core toilet tissue roll and one spare roll.

Overall dimensions: 6⅜"W x 6⅜"H x 4"D.

ADA Compliant

- Consult local and national accessibility codes for proper installation guidelines.
- Conformity and compliance to local and national codes is the responsibility of the installer.



Dim. "A" Key Surface:	For Dim. "A"	Top of Rough Wall Opening	Bottom of Rough Wall Opening
Centerline of spindle to finished floor (bottom edge of paper roll 3" below centerline of spindle)	23" (584mm)	25½" (648mm)	20¼" (514mm)
	22" (559mm)	24½" (622mm)	19¼" (489mm)
	21" (533mm)	23½" (597mm)	18¼" (464mm)
	20" (508mm)	22½" (572mm)	17¼" (438mm)
	19" (483mm)	21½" (546mm)	16¼" (413mm)
	18" (457mm)	20½" (521mm)	15¼" (387mm)
Rough wall opening:			
Recessed:	5¼" (134mm) Wide x 5¼" (134mm) High x 4" (102mm) Deep		