

**Model 5224 — Bradex®**

- Controlled Delivery
- Dual Roll (For Single Roll see Model 5054)

### Product Materials

**UNIT:** heavy-duty chrome-plated steel.

### Capacity

Two standard core toilet tissue rolls through 6" in diameter.

### Operation

Remove tissue roll core to access special locking mechanism for servicing.  
Tension spring controls paper delivery.

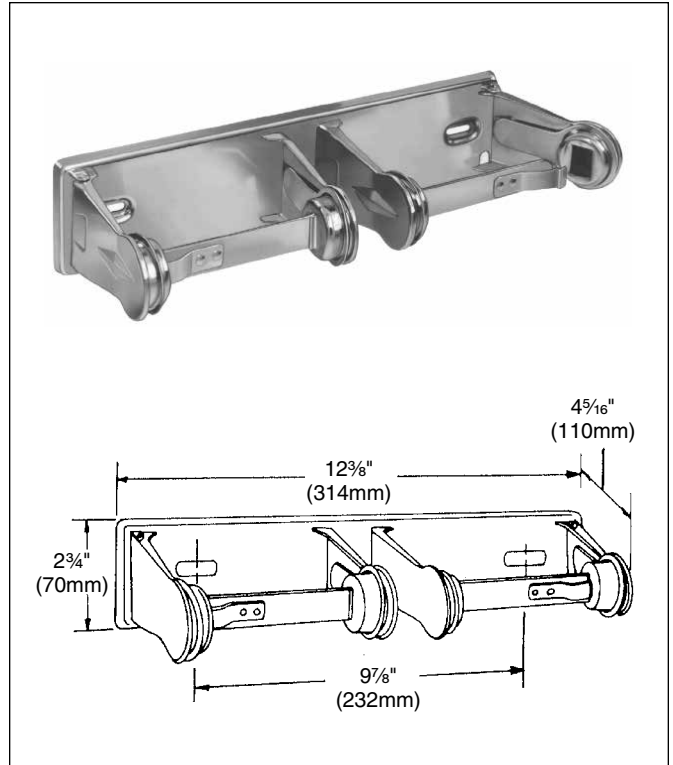
### Installation

Verify all rough-in dimensions prior to installation. Secure to wall with mounting screws (included) at holes provided.

### Guide Specification

Surface-mounted toilet tissue dispenser shall be heavy-duty chrome-plated steel and hold two standard core toilet tissue rolls. Tension spring controls paper delivery.

**Overall dimensions: 12<sup>3</sup>/<sub>8</sub>"W x 2<sup>3</sup>/<sub>4</sub>"H x 4<sup>5</sup>/<sub>16</sub>"D.**



Orders composed of products indicated as **Bradex®** will be available to ship in three days after receipt of order at the factory. There is no pricing penalty for this service from Bradley.