

Model 5422 — Partition Mounted *Bradex*[®]

- Partition-Mounted
- Serves Two Compartments
- ADA Compliant
- Dual Roll

Product Materials

FLANGE: 22 gauge stainless steel with exposed surfaces in architectural satin finish. Flange of one-piece seamless construction, 1" wide with ¼" return.

CABINET: 22 gauge stainless steel with exposed surfaces in architectural satin finish. Welded construction with burr-free edges

SERVICE DOOR: 22 gauge stainless steel with exposed surfaces in architectural satin finish and tumbler lock keyed like other Bradley units. Hinged at bottom.

SPINDLES: molded polyethylene.

Capacity

Two dispensers; one per compartment. Each holds two standard core toilet tissue rolls through 5" in diameter.

Operation

Each cabinet holds two rolls of 4½" x 5" standard core toilet tissue, one above the other. When first roll is used-up, fresh roll automatically drops down for use. Unique retaining mechanism prevents use of spare roll until first roll is completely used. Spindles non-removable by user. Hinged door permits access to storage compartment for servicing of unit. Serves two toilet compartments, dispensing one roll to each side of partition, while holding a second roll in reserve.

Installation

Verify all rough-in dimensions prior to installation. Requires partition opening 10⅝"H x 11⅜"W. Flanges adjustable for partitions from ½" to 2" thick. Remove one flange and install cabinet in partition opening. Draw flange tight to partition and secure with screws. Replace flange on opposite side, draw tight to partition, and secure with screws.

Guide Specification

Partition-mounted dual roll toilet tissue dispenser shall be satin finish stainless steel and hold four standard core toilet tissue rolls-two in reserve for use after first rolls are exhausted.

Overall dimensions: 13"W x 12⅜"H x 6¼"D.

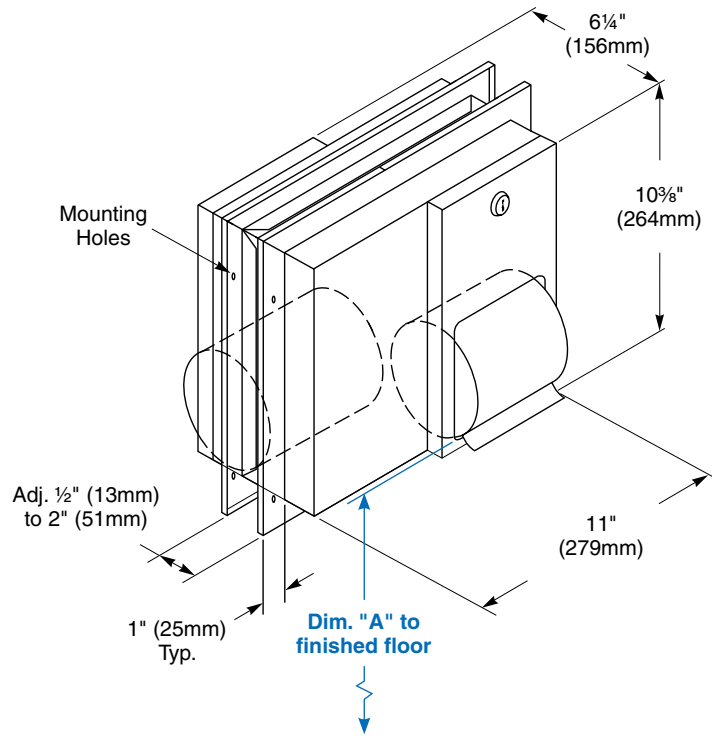


 **ADA Compliant**

- Consult local and national accessibility codes for proper installation guidelines.
- Conformity and compliance to local and national codes is the responsibility of the installer.

Orders composed of products indicated as *Bradex*[®] will be available to ship in three days after receipt of order at the factory. There is no pricing penalty for this service from Bradley.

Dimensions



| Dim. "A" Key Surface: | For Dim. "A" | Top of Rough Wall Opening | Bottom of Rough Wall Opening |
|---|---|---------------------------|------------------------------|
| Bottom of toilet paper opening to finished floor | 20" (508mm) | 29 1/4" (743mm) | 18 5/8" (473mm) |
| | 19" (483mm) | 28 1/4" (718mm) | 17 5/8" (448mm) |
| | 18" (457mm) | 27 1/4" (692mm) | 16 5/8" (422mm) |
| | 17" (432mm) | 26 1/4" (667mm) | 15 5/8" (397mm) |
| | 16" (406mm) | 25 1/4" (641mm) | 14 5/8" (371mm) |
| | 15" (381mm) | 24 1/4" (616mm) | 13 5/8" (346mm) |
| Rough wall opening: | | | |
| Partition Mount: | 11 3/8" (289mm) Wide x 10 5/8" (270mm) High x Partition Thickness | | |

Orders composed of products indicated as **Bradex**® will be available to ship in three days after receipt of order at the factory. There is no pricing penalty for this service from Bradley.