

### Model 582

- Partition-Mounted
- Serves Two Compartments

### Product Materials

**FLANGE:** 22 gauge stainless steel with exposed surfaces in Architectural satin finish. One-piece seamless construction, 1" wide with burr-free beveled edges.

**CABINET:** 22 gauge stainless steel. All-welded construction.

**DOORS:** 22 gauge stainless steel with exposed surfaces in architectural satin finish, with full-length piano hinge and tumbler lock keyed like other Bradley units.

### Capacity

1,000 single-fold or half-fold toilet seat covers.

### Operation

Seat cover dispenser serviced through hinged door on one side of unit.

### Installation

Verify all rough-in dimensions prior to installation. Requires partition opening 11"H x 15 $\frac{3}{8}$ "W. Flange adjustable for partitions from  $\frac{3}{4}$ " to 1 $\frac{1}{16}$ " thick. Remove flange and install cabinet in partition opening with tabs flush against partition. Position flange on both sides of cabinet and secure with mounting screws (included) at holes provided.

- If used with on odd number of toilet compartments, use one Bradley Model 584 recessed or Bradley Model 583 surface-mounted Seat Cover Dispenser in side wall of end compartment.

### Guide Specification

Dual toilet seat cover dispenser shall be partition-mounted to serve two toilet compartments. Unit shall be fabricated of 22 gauge stainless steel with seamless exposed surfaces in satin finish. Dispenser door with piano hinge and tumbler lock.

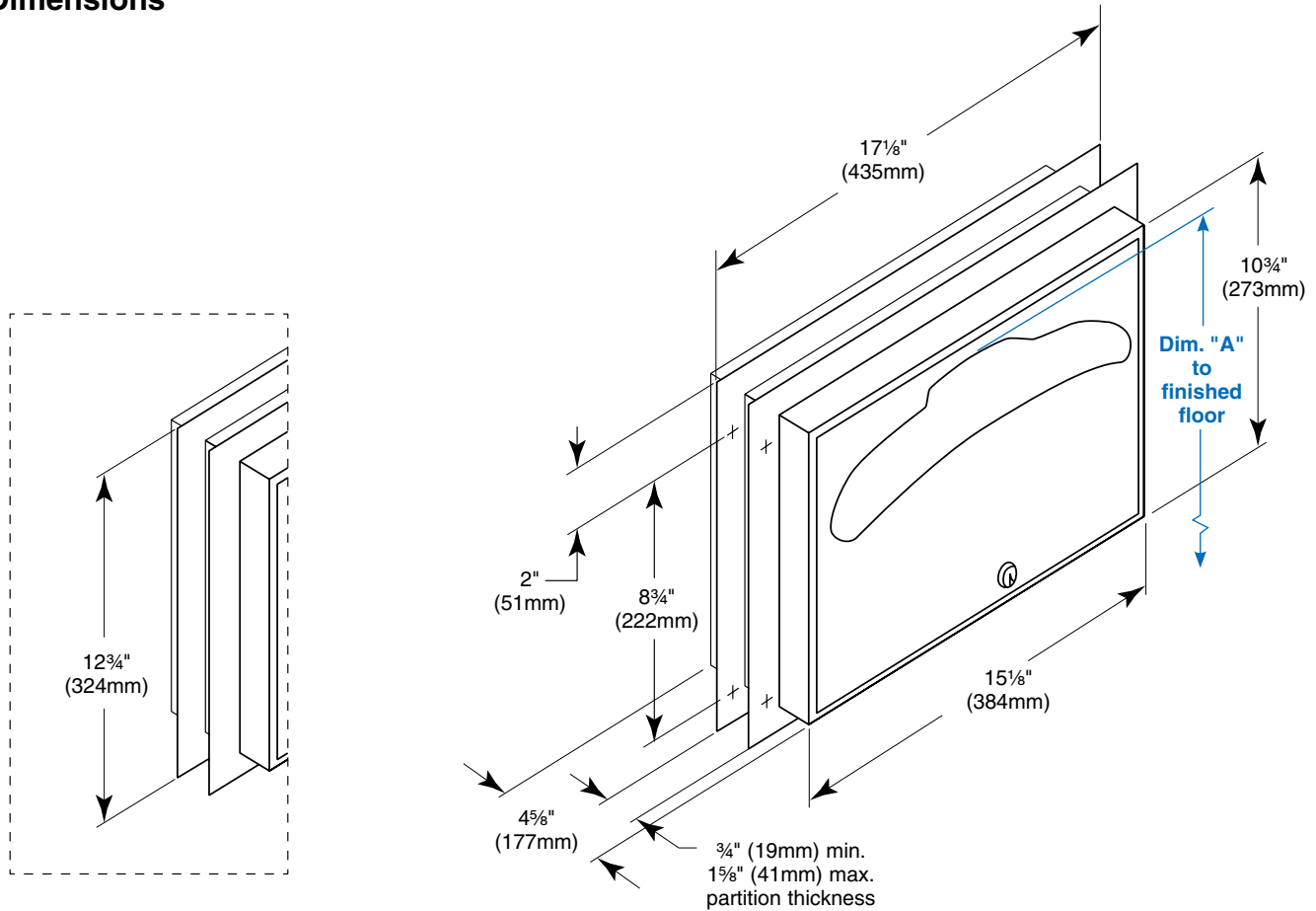
**Overall dimensions: 17 $\frac{1}{8}$ "W x 12-3/4"H x 4 $\frac{5}{8}$ "D.**

### ADA Compliant

- Consult local and national accessibility codes for proper installation guidelines.
- Conformity and compliance to local and national codes is the responsibility of the installer.



**Dimensions**



<b>Dim. "A" Key Surface:</b>	For Dim. "A"	Top of Rough Wall Opening	Bottom of Rough Wall Opening
<b>Top of seat cover opening to finished floor</b>	48" (1219mm)	49 1/4" (1251mm)	38 1/4" (972mm)
	45" (1143mm)	46 1/4" (1175mm)	35 1/4" (895mm)
	42" (1067mm)	43 1/4" (1099mm)	32 1/4" (819mm)
	40" (1016mm)	41 1/4" (1048mm)	30 1/4" (768mm)
<b>Rough wall opening:</b>			
Partition Mount:	15 3/8" (390mm) Wide x 10 5/8" (270mm) High x Partition Thickness		