

Aerada™ 900 Series Futura Faucet with Accu-Zone® Infrared Control (AZ)

Models S53-141, S53-148, S53-285, S53-286, S53-186
S53-287, S53-290, S53-288

- .5 GPM Vandal-Resistant Aerator
- Reliable Infrared Activation
- Broad Sensing Zone Within Bowl
- Automatic Sensor Adaptation to Lav Bowl
- Centershank, 4" Centerset or 8" Centerset Mounting

Specifications

User Operation

The faucet activates water flow only when the user's hands enter a broad infrared detection zone within the lavatory bowl perimeter. The faucet turns itself off after the hands are removed from the lavatory bowl area, allowing users to dry hands or groom without wasting water.

Component Operation

The 900 Series Futura (AZ) controls water flow by using an Accu-Zone® sensor module to electronically open and close a 24V solenoid valve. Both electronic components are powered by a 24V class II transformer (provided by Bradley as an option).

The Accu-Zone® sensor module uses two zone-focused infrared transmitting beams to create a large detection area confined strictly to the lavatory bowl. When the hands enter the detection area, the sensor starts water flow by electronically opening the solenoid valve. When hands leave the detection area, the sensor stops water flow by closing the solenoid valve.

Accu-Zone® Infrared Control

The Accu-Zone® sensor module uses two zone-focused infrared transmitting beams — each creating a detection area not exceeding the bowl perimeter. The detection range projects 6-9 inches forward at a 30° angle to each side and reaches 5° below horizontal. The Accu-Zone® infrared sensor is not affected by varying color tones or darkness. Direct sunlight or bright washroom lights (up to 10,000 ft. candles) will not activate the system.

The incoming water supply can be tempered or cold. An optional Bradley Vernatherm™ Thermostatic Mixing Valve can be utilized to mix hot and cold supplies and deliver tempered water at a temperature no greater than 105°F.

Standard Equipment

Infrared Sensor

The sensor module uses a zone-focused infrared transmitting beam, creating a detection area not exceeding the bowl perimeter. Accu-Zone® sensors shall react (activate) when the user's hands enter the detection area. A timing turn-off delay of 2-3 seconds results in a smooth, controlled hand-washing operation.

Solenoid

24V, 50/60Hz, 1/8" NPT. The electronically activated solenoid valve provides reliable performance since there are few



moving parts and its operation is unaffected by most chemicals and minerals often present in municipal water supplies.

Flow Control/Rate

Operating range 20-80 PSI. Flow restrictor keeps flow rate constant at all pressures. The flow rate is .5 GPM.

Body

Chrome plated, solid cast brass body, centershank or 4" centerset mounting (standard), 8" centerset mounting (optional) with mounting plate.

Sanitary

No-touch operation reduces water/soap splatter and addresses the public's increasing awareness and concern about communicable diseases.

Vandal Resistant

There are no surface-mounted controls to tempt vandals. The sensor module is sealed airtight and is located inside the faucet. The sensor's infrared send-and-receive optics are protected by a shatter-resistant polycarbonate shield. The Accu-Zone® sensor will automatically shut off water flow after 30-45 seconds if a vandal attempts to trigger constant operation by covering the sensor or placing a stationary object in the sensor's detection zone.

Code Compliance and Certifications

CSA

The 900 Series Futura faucets are CSA certified to meet CSA B125 test standards for plumbing fixtures.

ADA Compliance

The sensor module produces a broad detection zone which allows disabled users to easily activate the faucet from either a front or side approach, thereby meeting guidelines provided by ANSI A117-1.

Check Your Surroundings

Certain factors, such as intense direct sunlight, other infrared devices, or other site conditions may interfere with the activation of infrared faucets. Contact your local Bradley representative to discuss any application concerns.



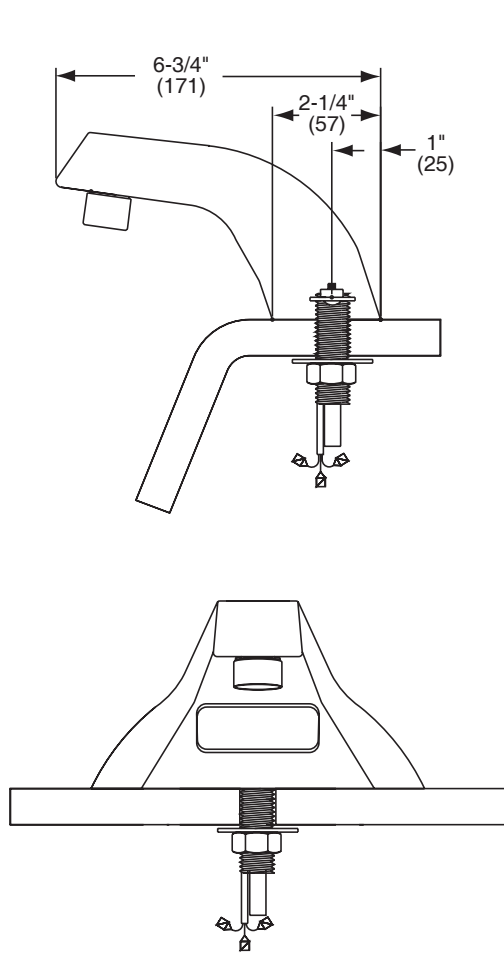
Bradley 

P.O. Box 309, Menomonee Falls, WI 53052-0309
Phone 1-800-BRADLEY FAX 262-251-5817
http://www.bradleycorp.com

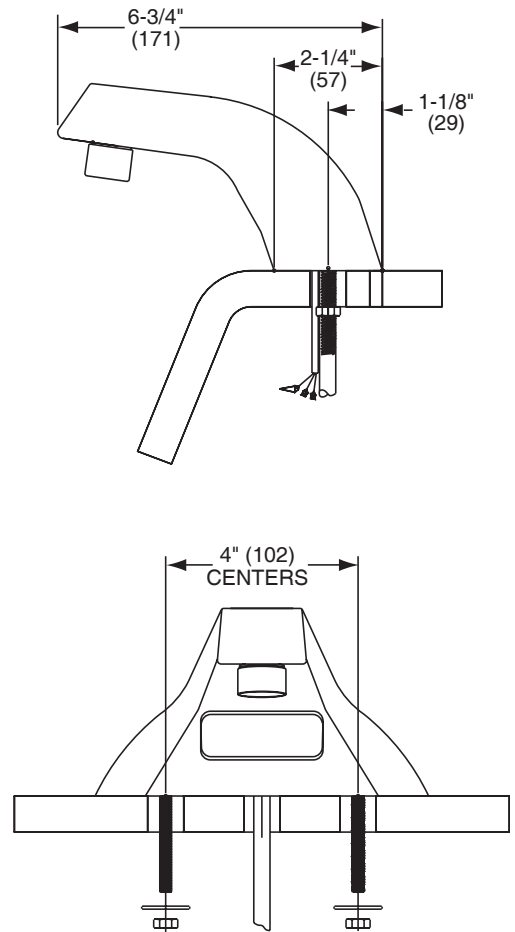
Aerada™ Infrared Faucet

900 Series (AZ)

PLUMBING FIXTURES TECHNICAL DATA



CENTERSHANK



4" CENTERSET

Bradley Corporation reserves the right to make changes in design and material without formal notice and without incurring obligation. Verify all rough-in dimensions prior to installation.

Aerada™ 900 Series Futura Faucet with Accu-Zone® Infrared Control (AZ)

Models S53-141, S53-148, S53-285, S53-286, S53-186
S53-287, S53-290, S53-288

Sample Specification

No-touch infrared faucet shall be Bradley Aerada™ 900 Series Futura faucet with Accu-Zone® sensor module. Infrared sensor to use two zone-focused transmitting beam, creating a detection area not exceeding the bowl perimeter. The infrared sensor module shall electronically activate a 24V solenoid valve using a 24-volt AC, 50/60Hz power supply. Infrared sensor module to have auto shut-off after 30-45 seconds of continuous triggering by a stationary object, a timing turn-off delay of 2 to 3 seconds. Sensor module send-and-receive optics shall be protected by a flush-mounted, shatter-resistant polycarbonate shield. Faucet shall include chrome-plated, solid cast brass body with centershank mounting.

NOTE: Transformers are UL/CSA recognized, 120/24VAC, 50/60 Hz, Class II. Location and box, if required, (by others) per local electrical code.

MODELS – Faucet Only

Part No.	Model/Description
<input type="checkbox"/> S53-141	900 Series, Accu-Zone, 4" Centerset
<input type="checkbox"/> S53-148	900 Series, Accu-Zone, 4"Centerset, No Solenoid Valve
<input type="checkbox"/> S53-285	900 Series, Accu-Zone, Centershank
<input type="checkbox"/> S53-286	900 Series, Accu-Zone, Centershank, No Solenoid Valve

MODELS – Faucets with Trim Plate

Part No.	Model/Description
<input type="checkbox"/> S53-186	900 Series, Accu-Zone, 4" Centerset w/ 8" Trim Plate
<input type="checkbox"/> S53-287	900 Series, Accu-Zone, 4" Centerset w/ 8" Trim Plate, No Solenoid Valve
<input type="checkbox"/> S53-290	900 Series, Accu-Zone, Centershank w/ 8" Trim Plate
<input type="checkbox"/> S53-288	900 Series, Accu-Zone, Centershank w/ 8" Trim Plate, No Solenoid Valve

OPTIONAL SELECTIONS

Part No.	Model/Description
24-volt Transformer:	
<input type="checkbox"/> S83-005	Plug-in Transformer, 24V, with Anti-theft Bracket
<input type="checkbox"/> S45-848	Remote Transformer, 24V, for 1-4 Faucets
Water Supply:	
<input type="checkbox"/> S59-4004XS	TMA Vernatherm™ Thermostatic Mixing Valve Pre-Pack
<input type="checkbox"/> S45-2081	TL Single Tempered Line w/ Stop, Strainer, Check Valves
Temperature Selection Valve:	
<input type="checkbox"/> S01-515	MM2, User-Adjustable Mixing Valve, High Flow, 3 GPM
Drain Assembly:	
<input type="checkbox"/> 269-1231	D-ASSY, Drain, Strainer, and Tailpiece

Document No. 3041

This information is subject to change without formal notice.
© 2003 Bradley Corporation
10-13-2005 (3 Pages Total)



P.O. Box 309, Menomonee Falls, WI 53052-0309
Phone 1-800-BRADLEY FAX 262-251-5817
<http://www.bradleycorp.com>