

- 14 gauge panel construction
- Available with surface-mounted or recessed soap dishes
- All units factory tested for proper operation

### Specifications

#### Material

All cabinet materials, including interior piping are Type 304 stainless steel. The fixture is made from heavy gauge stainless steel with seamless welded surfaces.

### Construction

#### Panel

Shower panels have beveled edges for tight wall fit. Soap dishes, showerhead, and push button are secured from back of panel for vandal-resistant installation. Stainless steel anchor nuts are welded to back of panel and soap dishes to accept 1/4"-20 studs which are rear mounted.

#### Valving

Unit features a choice of valves for tempered and cold water application. Both valving types are chase located. They are:

- Air metering valve with 5 to 60 second timing cycle adjustable from chase side only.
- TouchTime® Electronic Control. TouchTime is factory set at 60 second timing.

#### Showerhead

Bradley "SX" severe service 2.5 GPM showerhead has a fixed direction spray. Spray pattern is adjustable through orifice with 1/8" Allen wrench.

### Finish

All exposed stainless steel surfaces have a #4 polished satin finish. Brass showerhead and push buttons are triple chrome plated.

### Wall Anchoring

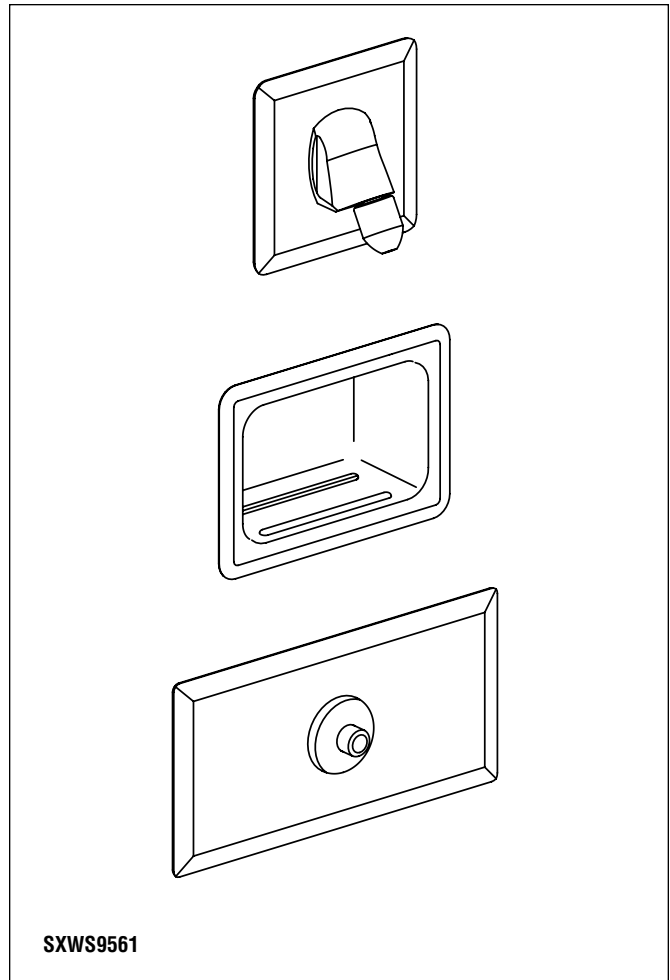
No exposed mounting fasteners in cell area. Fixture is completely secured from pipe chase side with rust-resistant mounting hardware for walls up to 12" thick.



*Fixture requires wall openings and accessible chase for installation and maintenance. Some field assembly may be required.*

### Standard Equipment

Unitized stainless steel shower panel with "SX" showerhead, recessed soap dish, choice of valves, and rust-resistant hardware for walls up to 12" thick.



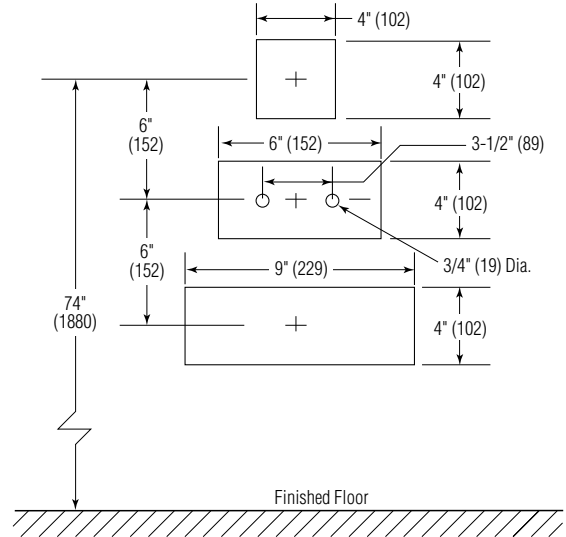
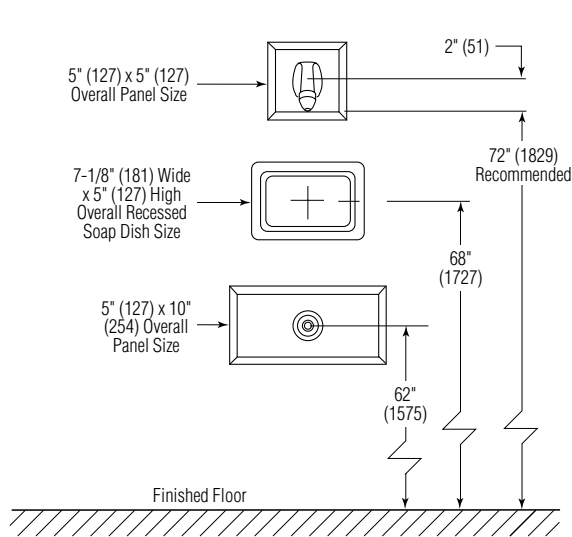
### Model

- SXWS9561** Chase Mounted SX Three-Panel Shower

### Required Selections

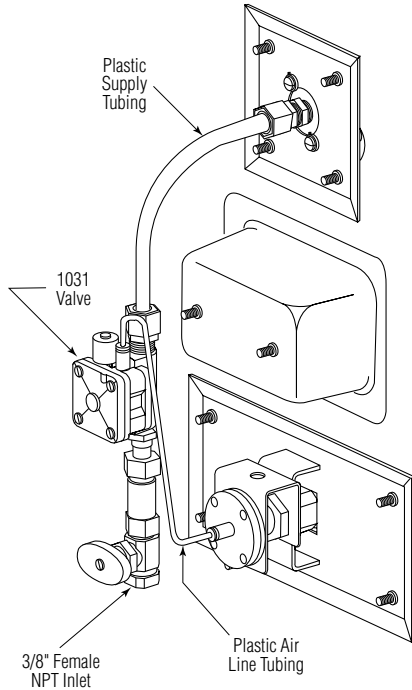
#### Valve Assembly (select one):

- ASTM** Air Single Temp Metering Valve  
 **TTST** TouchTime® Single Temp Electronic Metering Valve  
 **NV** No Valve



3/4" (19) Dia. Holes Are for Surface-Mounted Soap Dish Only.

**Model C9561  
(Air Valve – Single)**



**Model C9561  
(TouchTime – Single)**

