

Security towel hook:

Model SA36 – Front Mounted *Bradex*[®]

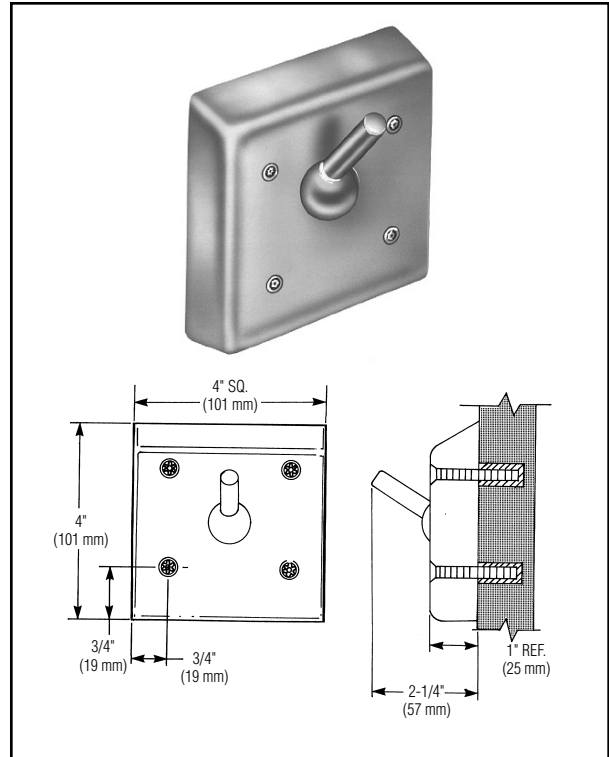
Product Materials

BACKPLATE: 14 gauge stainless steel with exposed surfaces in architectural satin finish. All seams are welded and ground smooth.

SAFETY HOOK: stainless steel with pivoting ball joint that releases when more than 20 lbs. of force is applied.

Installation

Verify all rough-in dimensions prior to installation. Unit supplied with ¼" - 20 x 1½" T27 torx head machine screws for installation to wall anchors (not included).



Orders composed of products indicated as **Bradex**[®] will be available to ship in three days after receipt of order at the factory. There is no pricing penalty for this service from Bradley.