



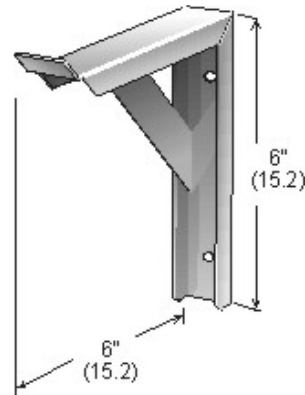
- Quality
- Value
- Service

**Tech
Reference**

Pail Hook

Code 1111: Stainless steel.

[Download
PDF](#)



Specifications:

All welded construction of 18 gauge type 304 stainless steel no. 4 brushed finish.
For use with empty pails only.

Description and specifications applicable on date issued. Frost reserves the right to make improvements or changes without notice.