



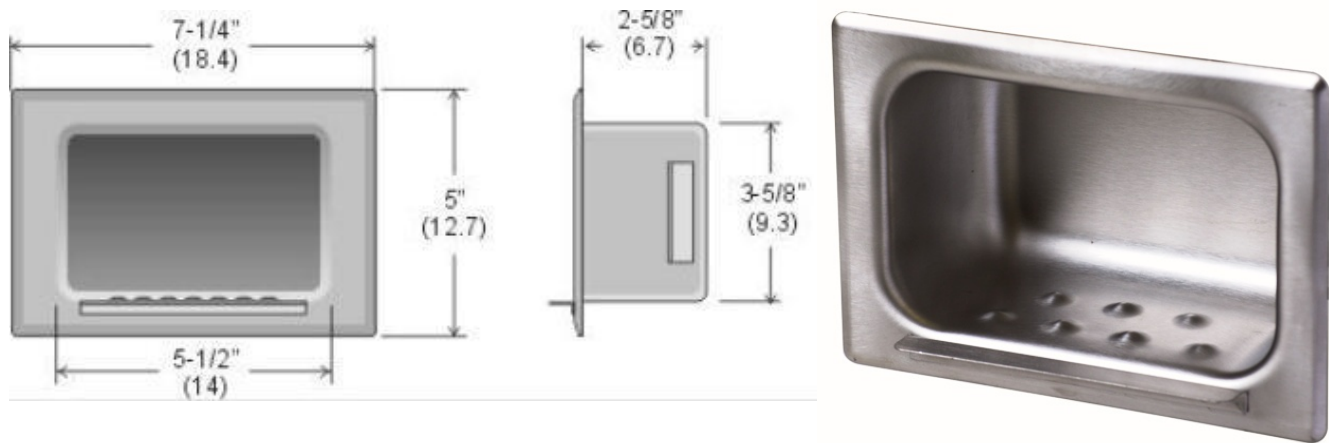
- Quality
- Value
- Service

**Tech
Reference**

Hygienic Solutions at Work

Recessed Soap Dish, Heavy Duty

Code 1132HD Recessed heavy duty soap dish, stainless steel



Specifications:

Material: Recessed heavy duty stainless steel soap dish is constructed of a one piece drawn seamless heavy guage stainless steel. Drip lip is fabricated of 18 gauge stainless steel. All exposed surfaces have an architectural satin finish.

Installation: Cut a rough wall opening 6-3/4"W (17.2) x 4-1/2"H (11.5) x 2-1/2"D (6.4). Soap dish has mortar lugs for anchorage with cement. Apply cement to back of the mounting brackets and insert into wall opening.

Description and specifications applicable on date issued. Frost reserves the right to make improvements or changes without notice.