



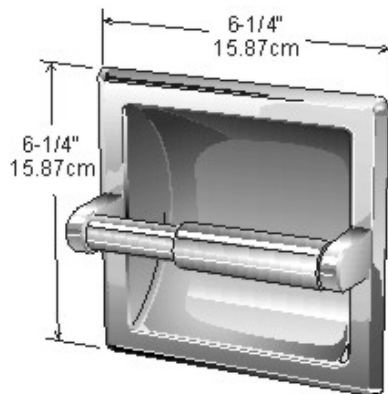
- Quality
- Value
- Service

**Tech
Reference**

Hygienic Solutions at Work

Recessed Toilet Tissue Holder

Code 1134S: Stainless Steel



Specifications:

Material: Stainless Steel

Wall box size: 5-1/4" x 5-1/4" x 1-1/2"

Description and specifications applicable on date issued. Frost reserves the right to make improvements or changes without notice.