



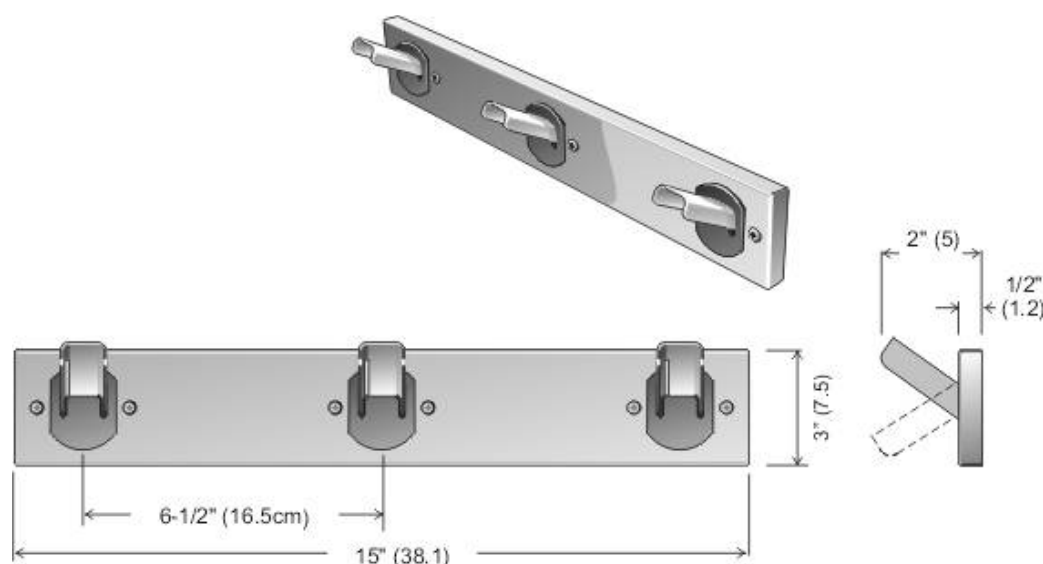
- Quality
- Value
- Service

**Tech
Reference**

Safety Coat Hook

Code 1150-3: White hook on stainless steel strip (three hook strip).

View Flier PDF Note: For special colours add the following suffixes: B: blue, BK: black, R: red (example: Code 1150R denotes red hook on stainless base)



Specifications:

Materials: 3 hook strip is 22 ga. stainless steel type 304 # 4 finish. Hook is epoxy coated 16 ga. stainless steel, providing a smooth burr free edge. Alternative colours available on special order (5-6 week lead times may apply). Spring loaded coat hook will only support weight of coat or jacket, heavier objects will slip off. Coat hook will not support loads in excess of 11 kilograms (25 lbs.), patent pending.

Installation: Secure to any panel with ss mounting screws provided. Screws are counter sunk ss with Phillips style finished head. For unrestricted access, centre of unit to floor should not exceed 48" (120). Mounting screws provided.

Description and specifications applicable on date issued. Frost reserves the right to make improvements or changes without notice.