

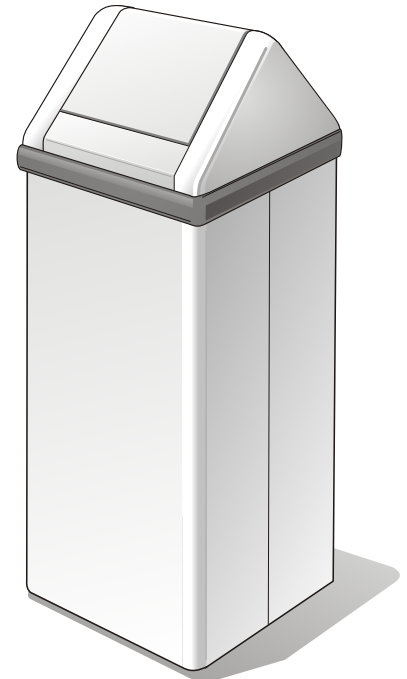
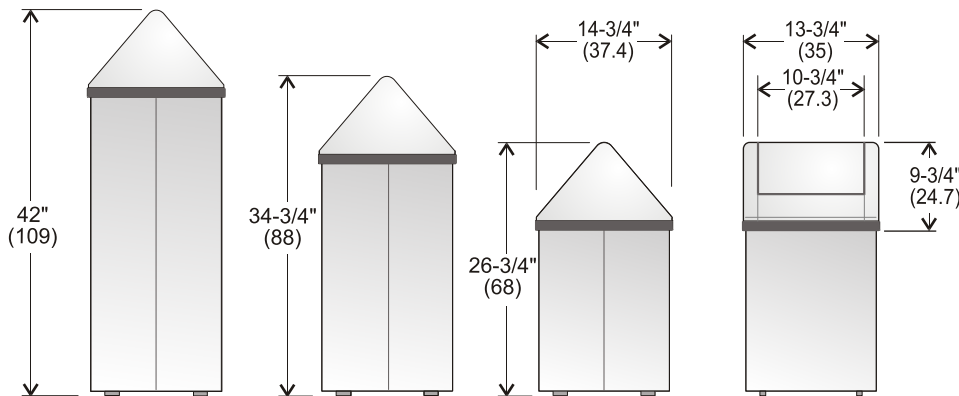


Free Standing Waste Receptacles

- Code 300-NL:** Large free standing receptacle, 42" high, white finish.
- Code 301-NL:** Medium free standing receptacle, 34-3/4" high, white finish.
- Code 302-NL:** Small free standing receptacle, 26-3/4" high, white finish.
- Code 301R-NL:** Medium free standing recycling receptacle, 34-3/4" high, recycling blue finish.

- Code 300-500** Liner for code 300 units
- Code 301-500** Liner for code 301 units
- Code 302-500** Liner for code 302 units

Overall dimensions in inches (centimeters in brackets)



300-NL

301-NL

302-NL

302-NL
Front view

Codes 301-NL (3/4 view)


Specifications

- Site location:**
 - The Frost free standing series of waste containers can be used in almost any application. The medium and small units also fit under most counter tops. The all metal construction is ideally suited to fire protection and rugged use.

- Features:**
 - Rounded soft edge design. All welded construction of 22 gauge cold rolled steel. Optional light weight 26 gauge galvanized steel liner provides extra fire protection. All units come with standard bag holder apparatus (compatible with the Frost bulk plastic bag liner system). Finished in hybrid epoxy polyester powder paint and black vinyl trim. Recessed feet elevate the unit to provide a neat appearance with minimal maintenance. Packaged in corrugated cartons.

- Capacity:**
 - **300-NL:** 105 litres (28 US, 23 imp. gal.), shipping weight: 14 kg. (27 lbs.)
 - **301-NL:** 80 litres (21 US, 17.5 imp. gal.), shipping weight: 12 kg. (23 lbs.)
 - **302-NL:** 54 litres (14 US, 12 imp. gal.), shipping weight: 10 kg. (19 lbs.)

- Optional Liners:**
 - 300-500: For code 300, 80 litres (21 US, 17.5 imp. gal.), shipping weight 5.8 kg. (13 lbs.) Dimensions: 31" (78.7) x 12-1/2" (31.7) x 12-1/2" (31.7).
 - 301-500: For code 301, 64 litres (19 US, 14 imp. gal.), shipping weight 5.4 kg. (10 lbs.) Dimensions: 25" (63.5) x 12-1/2" (31.7) x 12-1/2" (31.7).
 - 302-500: For code 302, 41 litres (11 US, 9 imp. gal.), shipping weight 2.7 kg. (6 lbs.) Dimensions: 16" (40.6) x 12-1/2" (31.7) x 12-1/2" (31.7).

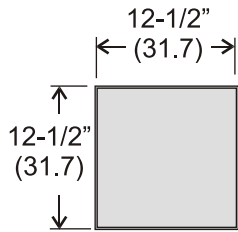
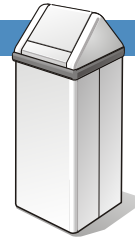
- 
 - All units meet barrier free access guidelines.



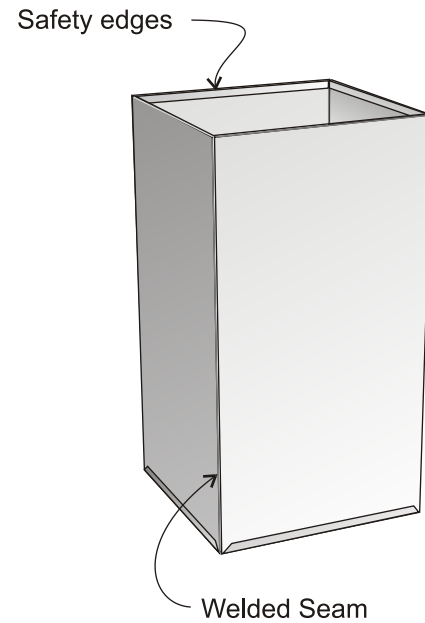
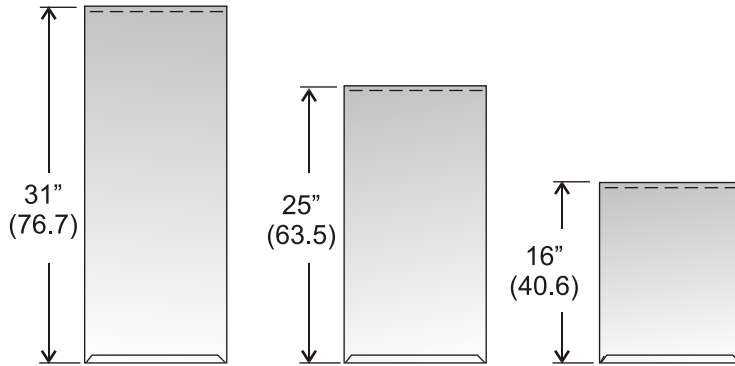
All Metal Liners for Code 300 Series Waste Receptacles

- Code 300-500:** Large, for code 300 units
- Code 301-500:** Medium, for code 301 units
- Code 302-500:** Small, for code 302 units

Overall dimensions in inches (centimeters in brackets)



All Codes (Top View)



300-500

301-500

302-500

Code 301-500 (3/4 view)

Specifications

Features:

- Liners are of all welded construction.
- 26 gauge corrosion resistant galvanized steel
- Safety edge (fold and flatten) along top of unit

Capacity:

- 300-500: For code 300, 80 litres (21 US, 17.5 imp. gal.), shipping weight 5.8 kg. (13 lbs.)
Dimensions: 31" (78.7) x 12-1/2" (31.7) x 12-1/2" (31.7).
- 301-500: For code 301, 64 litres (19 US, 14 imp. gal.), shipping weight 5.4 kg. (10 lbs.)
Dimensions: 25" (63.5) x 12-1/2" (31.7) x 12-1/2" (31.7).
- 302-500: For code 302, 41 litres (11 US, 9 imp. gal.), shipping weight 2.7 kg. (6 lbs.)
Dimensions: 16" (40.6) x 12-1/2" (31.7) x 12-1/2" (31.7).