



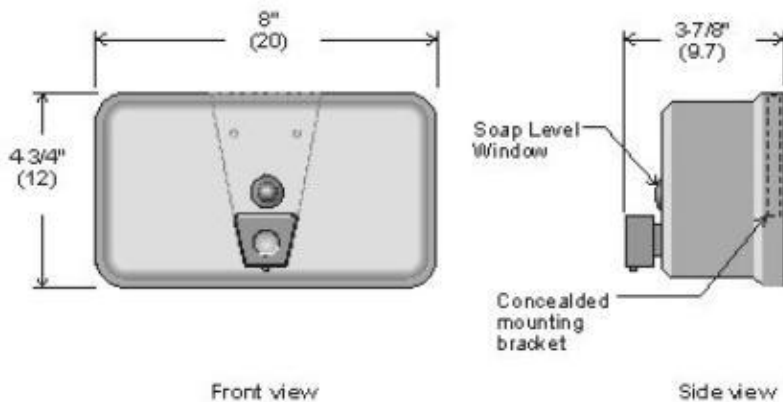
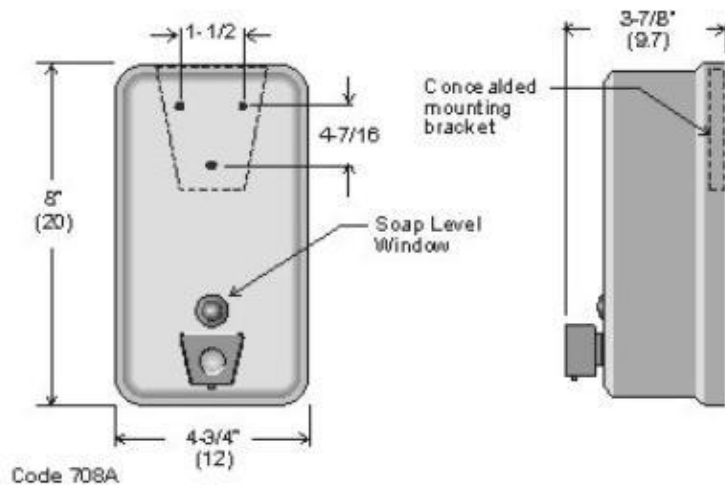
- Quality
- Value
- Service

**Tech  
Reference**

## Hygienic Solutions at Work

### Tank Type Soap Dispenser

- Code 708A:** All purpose valve, vertical mounting  
**Code 710A:** All purpose valve, horizontal mounting



Code 710A

#### Specifications:

**Site Location:** The surface mounted unit is intended for any type of wall material or construction.

**Features:** Drawn and welded construction of 20 ga. stainless steel. Easy refill at top. Keyed lock filler cap. Lucite soap level indicator window. All mounting screws concealed.

**Soap types:** 708A, 710A: dispenses liquid soap at 10-20% solution as well as more viscous synthetic detergents, lotions and antiseptic soaps. We do not recommend any soap types that have an ammonium based surfactant, ie. Ammonium Lauryl Sulfate.

**Capacity:** Capacity of 1.2 kg (40 oz.).

**Installation:**

Secure mounting plate to wall through holes with three mounting screws provided.

Slip dispenser over mounting plate and secure with single screw through filler cap at top.

---

Description and specifications applicable on date issued. Frost reserves the right to make improvements or changes without notice.