



# AMERICAN SPECIALTIES, INC.

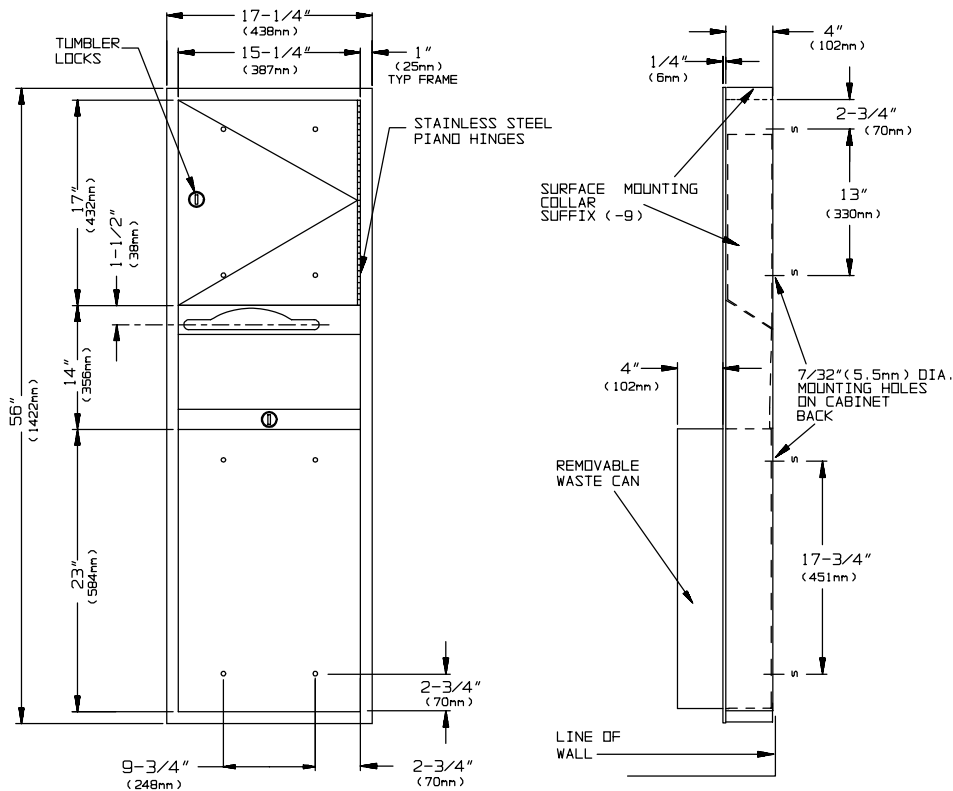
441 Saw Mill River Road, Yonkers, NY 10701 (914) 476-9000  
www.americanspecialties.com

MODEL No: 0469-9

ISSUED: 1-87

REVISED: 6-06

## SURFACE MOUNTED PAPER TOWEL DISPENSER AND WASTE RECEPTACLE



### SPECIFICATION

Surface Mounted Paper Towel Dispenser and Waste Receptacle supplied with SM collar shall hold and dispense 800 standard multi-fold or 600 standard C-fold paper towels and shall have a waste capacity of 12 gal (46 liters). Towel dispenser, door, unit frame, cabinet, waste container and SM collar shall be fabricated of alloy 18-8 stainless steel, type 304, 22 gauge. All exposed surfaces shall be N° 4 satin finish and be protected during shipment with a PVC film easily removable after installation. Towel dispensing slot shall have a fully hemmed-in rolled edge for snag-free dispensing and user safety. Door shall be fabricated in double-pan construction with fiberboard filler and shall be attached to cabinet at side with a full-length 3/16" diameter (Ø4.8mm) stainless steel multi-staked piano hinge and be held closed with a tumbler lock keyed alike to other ASI washroom equipment. Waste container shall have hemmed edges for safety and shall be retained by a tumbler lock keyed alike to other ASI washroom equipment. Face trim shall be 1" (25.4mm) wide formed from one piece with no miters, welding or open seams and have 1/4" (6.4mm) square return to wall. Structural assembly of all components shall be of welded construction. Cabinet shall have no exposed fastening devices or spot-welded seams.

**Surface Mounted Paper Towel Dispenser and Waste Receptacle shall be Model N° 0469-9 as manufactured by American Specialties, Inc., 441 Saw Mill River Road, Yonkers, New York 10701-4913**

### INSTALLATION

Unit is surface mounted to wall using four (4) N° 10 self-tapping screws (by others) through concealed mounting holes provided in rear wall of cabinet. For compliance with ADA Accessibility Guidelines, unit should be installed so that towel dispenser slot is 54" (1372mm) maximum above finished floor (MAX AFF) if clear floor side reach access is provided or 48" (1219mm) MAX AFF if clear floor forward reach access only is provided. SM collar is installed on cabinet prior to mounting on wall following procedure described on SM Collar Data Sheet.

### OPERATION

Towels are self-feeding until supply is depleted. Unit may be reloaded with a partial load in-place and will continue to feed properly. Waste container is emptied manually on cycle determined by maintenance needs. Locked compartment prevents unauthorized access.

Accessory Specialties

AMERICAN DISPENSER

Desert Ray Products

WATROUS INC.